

Make a Catapult

A catapult is a mechanical device that hurls objects into the air, over castle walls. Attackers used them during castle sieges.

You will need:

Cardboard bath tissue tube

3 pieces of cardboard:

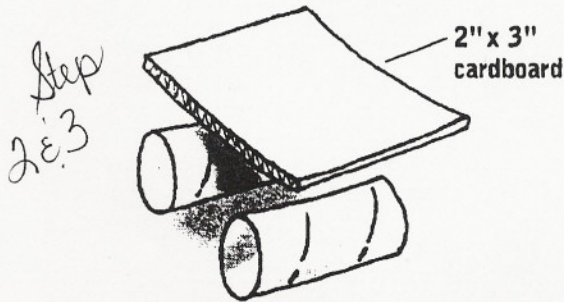
2" by 3"

2" by 2"

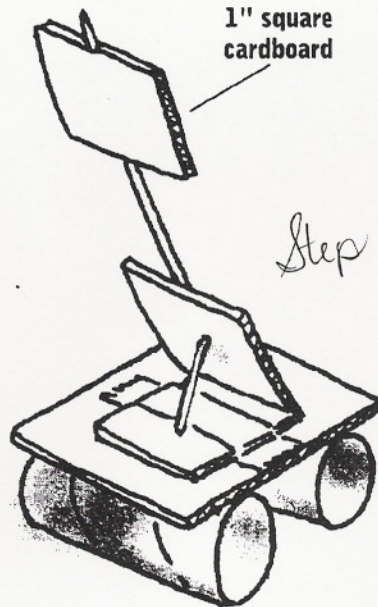
1" by 1"

Skewer (stick)

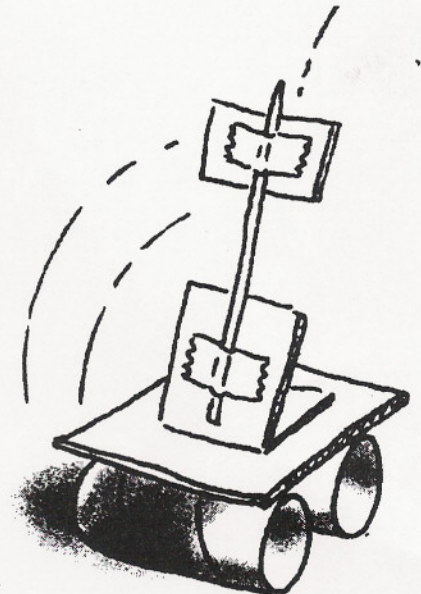
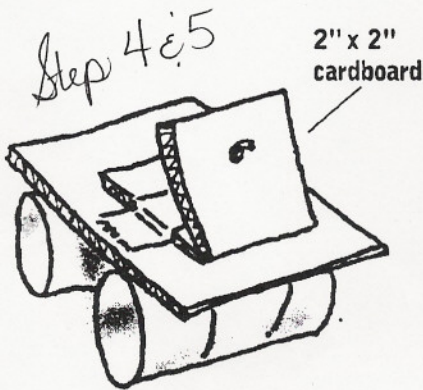
Tape

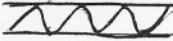


Step 1 →



Step 6 & 7



1. Measure and cut cardboard. Cut a 2 inch by 3 inch rectangle, and 2 inch by 2 inch square and a 1 inch by 1 inch square.
2. Cut the bath tissue tube in half. Place the 2" by 3" cardboard on top of the tubes.
3. Place tape across the cardboard and inside each of the tubes.
4. Fold the 2" by 2" cardboard in half, so that the side with the "holes" face upward.
The edge should look like this 
5. Attach the folded cardboard to the catapult with a strip of tape.
6. Put glue on the end of the stick. Slide the stick into the 1 inch cardboard. Leave about 1/4 inch of the stick showing.
7. Dip the other end of the stick in glue and insert it into the "holes" in the cardboard that is folded up on the catapult.
8. Let it dry.